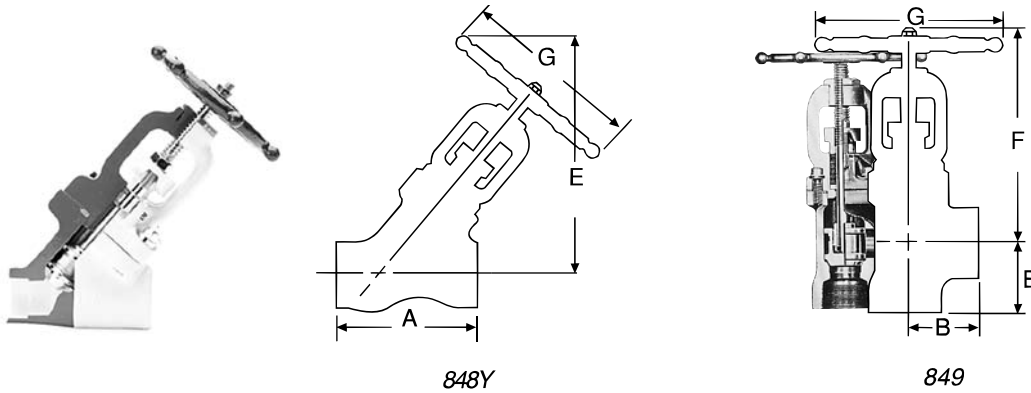


Stop Valves

Class 800 2000 PSI @ 100°F (137.9 BAR @ 38°C)



Standard Features

- Bodies and bonnets are of forged steel (A105 or F11).
- Bolted bonnet, OS & Y.
- Y-Pattern or angle design.
- Body-guided hardened stainless steel disk.
- Integral Stellite seat.
- Integral backseat.
- 13% chromium stainless steel stem.
- Asbestos-free graphitic packing.
- Asbestos-free spiral wound bonnet gasket.
- Knobbed handwheel.

Pressure Class 800 (PN 130)

| Fig. No. | Type | Ends | NPS (DN) |
|----------|-----------|----------------|-------------------|
| 848 | Y-Pattern | Threaded | ¼ (8) thru 2 (50) |
| 849Y | Y-Pattern | Socket Welding | |
| 849 | Angle | Threaded | |
| 849Y | Angle | Socket Welding | |

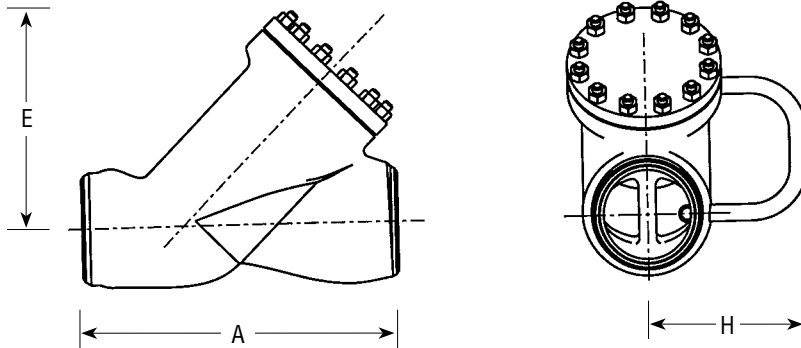
Dimensions – Globe & Angle

Black numerals are in inches and pounds
Colored numerals are in millimeters and kilograms

| Figure No. 848/848Y, 849/849Y | NPS | ¼ | 3/8 | ½ | ¾ | 1 | 1¼ | 1½ | 2 |
|---------------------------------|-----|-----|-----|-----|-----|-----|------|------|------|
| | DN | 8 | 10 | 15 | 20 | 25 | 32 | 40 | 50 |
| A - End to End, Globe | | 3 | 3 | 3 | 3.6 | 4.3 | 5.8 | 5.8 | 6.5 |
| | | 76 | 76 | 76 | 91 | 109 | 147 | 147 | 165 |
| B - Center to End, Angle | | 1.5 | 1.5 | 1.5 | 1.8 | 2 | 2.9 | 2.9 | 3.3 |
| | | 38 | 38 | 38 | 46 | 51 | 74 | 74 | 84 |
| E - Center to Top, Globe (Open) | | 6 | 6 | 6 | 6.8 | 7.6 | 10.9 | 10.9 | 12.1 |
| | | 152 | 152 | 152 | 173 | 193 | 277 | 277 | 307 |
| F - Center to Top, Angle (Open) | | 5.7 | 5.7 | 5.7 | 6.4 | 7.1 | 10.2 | 10.2 | 11 |
| | | 145 | 145 | 145 | 163 | 180 | 259 | 259 | 279 |
| G - Handwheel Diameter | | 3.8 | 3.8 | 3.8 | 4.3 | 4.8 | 7.1 | 7.1 | 8.5 |
| | | 97 | 97 | 97 | 109 | 122 | 180 | 180 | 216 |
| Weight, Globe | | 4 | 4 | 4 | 5.5 | 7.5 | 16 | 16 | 23 |
| | | 1.8 | 1.8 | 1.8 | 2.5 | 3.4 | 7.2 | 7.2 | 10.4 |
| Weight, Angle | | 4 | 4 | 4 | 5.5 | 7 | 17 | 17 | 24 |
| | | 1.8 | 1.8 | 1.8 | 2.5 | 3.2 | 7.7 | 7.7 | 10.8 |

Check Valves

Class 400 985 PSI @ 100°F (68.1 BAR @ 38°C)



Standard Features

- Bodies and covers are cast steel (WCB, WC6).
- Bolted cover.
- Y-Pattern.
- Integral Stellite seat and disk.
- Body-guided disk piston.
- Asbestos-free spiral wound gasket.
- Equipped with equalizer.

Pressure Class 400 (PN 68)

| Fig. No. | Type | Ends | NPS (DN) |
|----------|------------|-------------|---------------------|
| 1392Y | Flite-Flow | Buttwelding | 3 (80) thru 4 (100) |

Dimensions – Flite-Flow®

Black numerals are in inches and pounds
Colored numerals are in millimeters and kilograms

| Figure No. 1392Y | NPS | 3 | 4 |
|-------------------------------|-----|-----|------|
| | DN | 80 | 100 |
| A - End to End (Welding) | | 13 | 15.5 |
| | | 356 | 394 |
| E - Center to Top/Check Valve | | 8 | 11 |
| | | 203 | 279 |
| H - Equalizer Clearance | | 8.0 | 9.5 |
| | | 203 | 241 |
| Weight (Welding) | | 70 | 105 |
| | | 32 | 48 |

Long Terme Steel is a product coated by immersion in molten terme metal. Terme Metal is an alloy of lead and a small amount (about 3%) of tin.